

IL 35 EC / 45 EC / 60 EC

English

Instantaneous shower water heater - Operation and installation instructions

ไทย

คู่มือแนะนำการใช้งานและติดตั้งเครื่องทำน้ำอุ่น

This water heater must be installed (water and electrical installation), commissioned and serviced by approved service technicians in accordance with these instructions.

เครื่องทำน้ำอุ่นนี้จะต้องทำการติดตั้งตามวิธีการในคู่มือโดยช่างผู้ชำนาญงานเท่านั้น



STIEBEL ELTRON

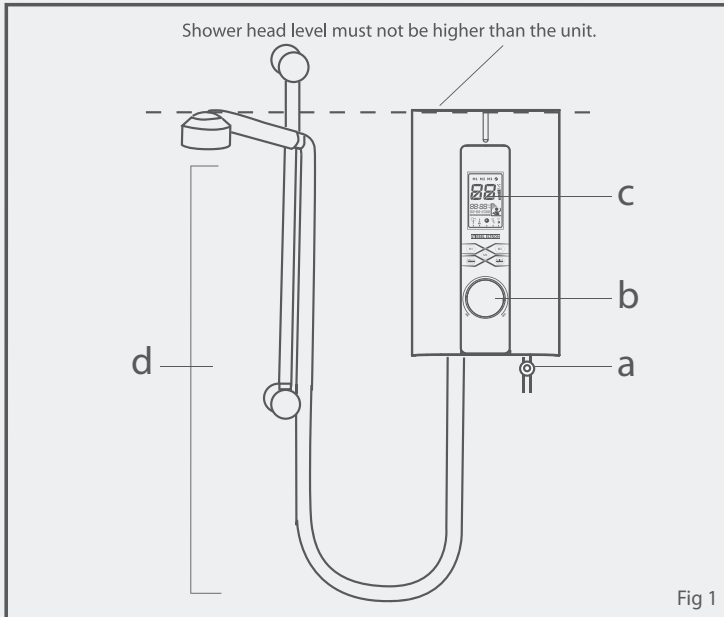


Fig 1

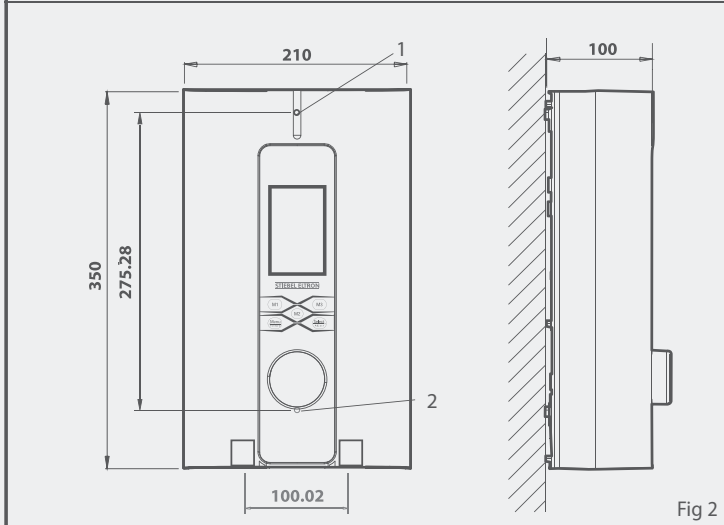
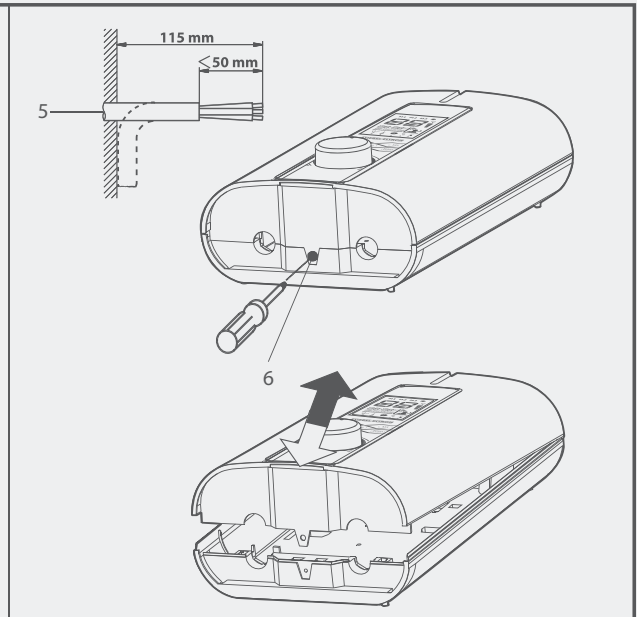


Fig 3

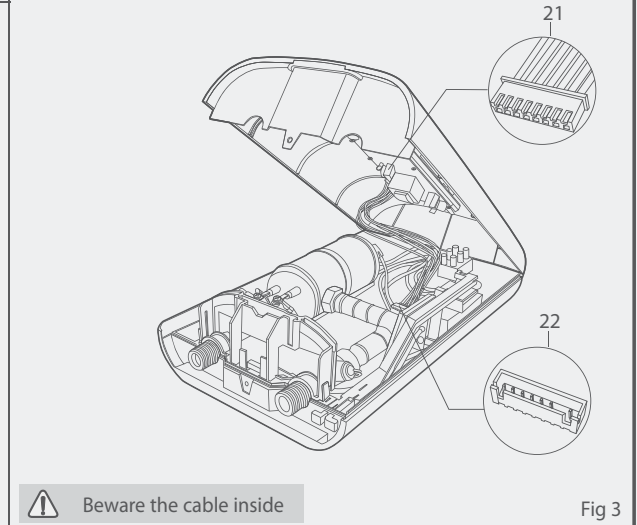


Fig 4

⚠ Beware the cable inside

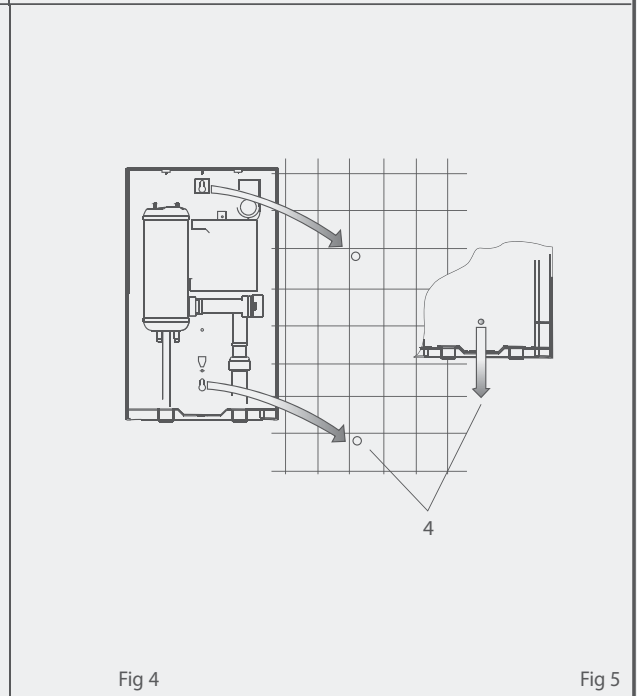
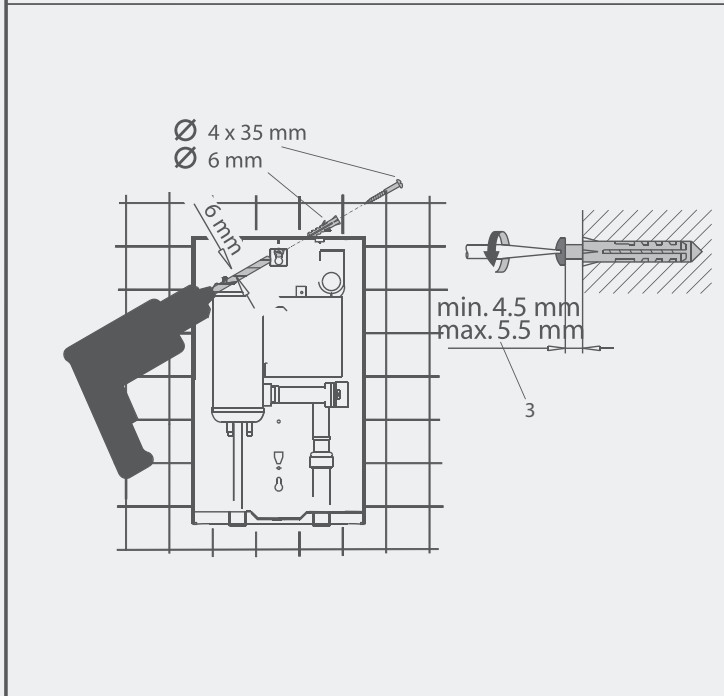


Fig 5

Fig 6

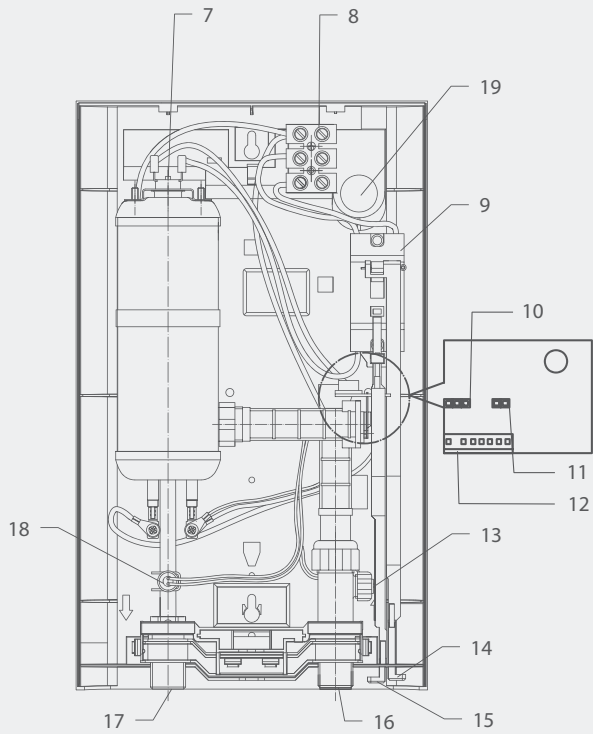


Fig 6

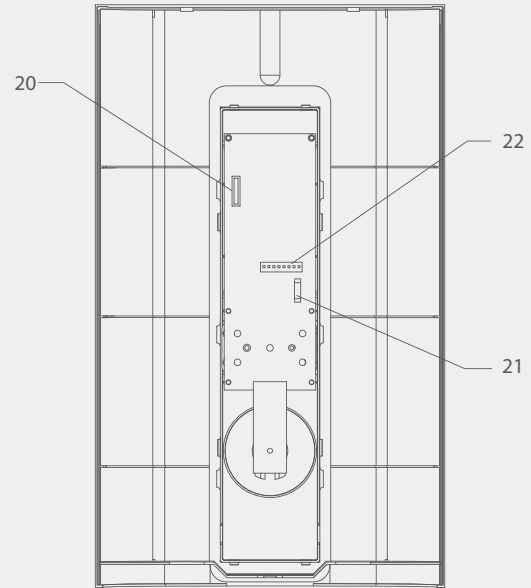


Fig 7

Type IL...EC

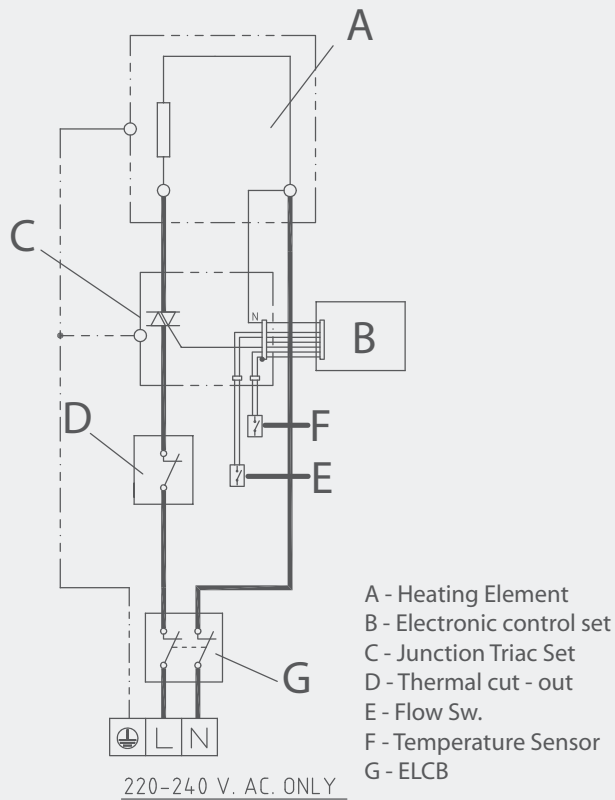


Fig 8

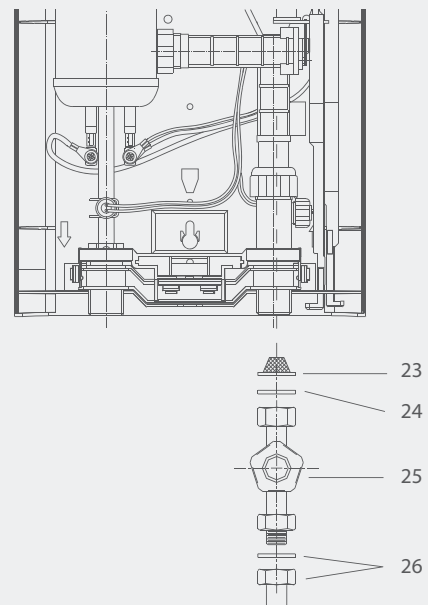


Fig 9

1. Installation Instruction

for the user and the qualified installer

1.1 Description of the unit

The STIEBEL ELTRON IL pressureless (open) instantaneous water heater is a device for heating water for a shower. The flow is switched on and off by using the water valve. From a flow rate of 1.3 l/min upwards, the heater is switched on and will control the desired set temperature.

1.2 The essentials - in brief (fig 1)

- Water valve
- Rotary control for temperature adjustment
- LCD display
- Shower accessories

1.3 Important information



The unit must not be put under pressure. The outlet of the unit is also used as a vent. A periodical scale removal is essential for the function of the shower head.



The unit is optionally equipped with an ELCB (Type IL...EC only). It is recommended to test the ELCB one time per month.



Warning!

If, during a shower, the water valve is closed, (such as applying soap to the body), then valve opened again, high water temperature may occur. To avoid risk of scalding, stay away from the shower head discharge zone momentarily.

1.4 Care and Maintenance

All that is needed for cleaning of the housing is a damp cloth. Do not use any abrasive cleaning agents or agent containing solvents.



Maintenance work may only be carried out by a qualified installer.

1.5 Hot water capacity

The hot water capacity depends on the power of the unit, the cold water temperature, and the flow volume.

1.6 Regulations and Provisions

- Regulations of the local power supply company should be observed.
- Regulations of the water supply company should be observed
- Technical data.

- Install the unit vertically on the wall.
- Electrical connection to be secure.



The device must be capable of being isolated from the mains, for example by fuses, with an isolating distance of at least 3.5 mm, in all poles.



The unit must be earthed (see circuit diagram). To protect against water penetration, the cable seal (19) must be used.

1.7 Important note



All the information in this operating and installation instructions must be carefully followed. These instructions provide important details regarding the safety, operation, installation, and maintenance of the unit.

1.8 Installation location



The shower unit is to be installed in a closed, frost-free room (disconnected units are to be stored in a frost-free location, since there will always be some water left in the unit) The IL is to be installed vertically on a wall (hot water connection downwards).

1.9 Technical data

(the data on the unit rating plate apply)

Type	IL		
	35 EC	45 EC	60 EC
Nominal capacity		0.25 l.	
Design	Open outlet		
Rated pressure	0MPa / 0 bar		
Water connection	G 1/2"		
Recommet circuit breaker (A)	20	30	35
Electrical connection	1/N/PE~220...240V		
Rated power (kW) - Rated current (A)	kW - A	kW - A	kW - A
	220 V	3.5 - 15.9	4.5 - 20.5
	230 V	3.8 - 16.5	4.9 - 21.3
	240 V	4.2 - 17.5	5.4 - 22.5
			6.0 - 27.3
			6.6 - 28.7
			7.1 - 29.6

1.10 Technical data (Fig 3,4,5,6,7,9)

1. Upper fixing hole
2. Lower fixing hole
3. Depth for mounting screw
4. Rear wall installation
5. Connection cable
6. Cover securing screw
7. Manual reset thermostat / reset button
8. Terminal block
9. ELCB
10. Connector to temperature sensor
11. Connector to reed switch
12. Connector to PCB control (cover)
13. Reed switch
14. ELCB Reset
15. ELCB Test
16. Cold water connection
17. Hot water connection for shower hose
18. Temperature sensor
19. Cable seal
20. Battery Backup
21. Fuse 6 A 250 V.
22. Connector to triac board
23. Combination filter / seal
24. Washer
25. Water valve
26. Union nut and washer (provided by client)

1.11 Installing the unit

1. Flush the cold water pipe thoroughly.
2. Fit a secure connection cable (5 ensure dimensions are correct). (Fig 3)
3. Release cover securing screw (6). (Fig 3)
4. Remove cover.
5. Determine the position of the drillholes by Installation template and drill the holes. Insert the wall plugs and screw in the screws (ensure screw insertion depth is correct, 3). (Fig 4)
6. Feed the connection cable through the cable seal in the rear wall. Guide the unit over the wall securing screws and slide it downwards (4). (Fig 5)
7. Fit the cold water connection. Connect the water valve (25) (Fig 9) with the filter (23) (Fig 9) and the washer (24) (Fig 9) to the cold water inlet of the unit (16). (Fig 6) Tighten the union nut and washer (26) (Fig 9) to the water valve.
8. Straighten the unit and tighten the screws.
9. Connect the electrical supply in terminal block and PCB control (12). (Fig 6)
10. Fit the cover and secure with the screw.
11. Turn the rotary control (b) to the left.
12. Fit the shower accessories to the unit.



The outlet must not be connected to any tap or fitting other than those specified

1.12 First operation

(Only to be carried out by a qualified installer)

Before using unit switching on, the ELCB test Button then turn on water valve to "Max" setting until the pipework and the unit are free of air.

- Check the operation of the water heater.
- Before switching "ON" set the rotary temperature to "MIN"

Handing over the unit

Explain to the user how the unit works and familiarise him or her with its use.

- Advise the user about possible hazards (high water temperature)
- Hand over these instructions, to be kept in a safe place.

1.13 Service note

When carrying out any work, isolate the unit from the mains and shut off the water connection.

- **Clean the filter** (Fig 9)
Disconnect water valve (25), remove filter (23) and clean. Re-assemble in reverse order.



ELCB Function

Before using this unit switch on the electrical supply then press the Reset Button (E)

How to test

Press the ELCB test Button (F) the ELCB Reset Button will drop. Press up to reset (E) the unit will turn to work again.

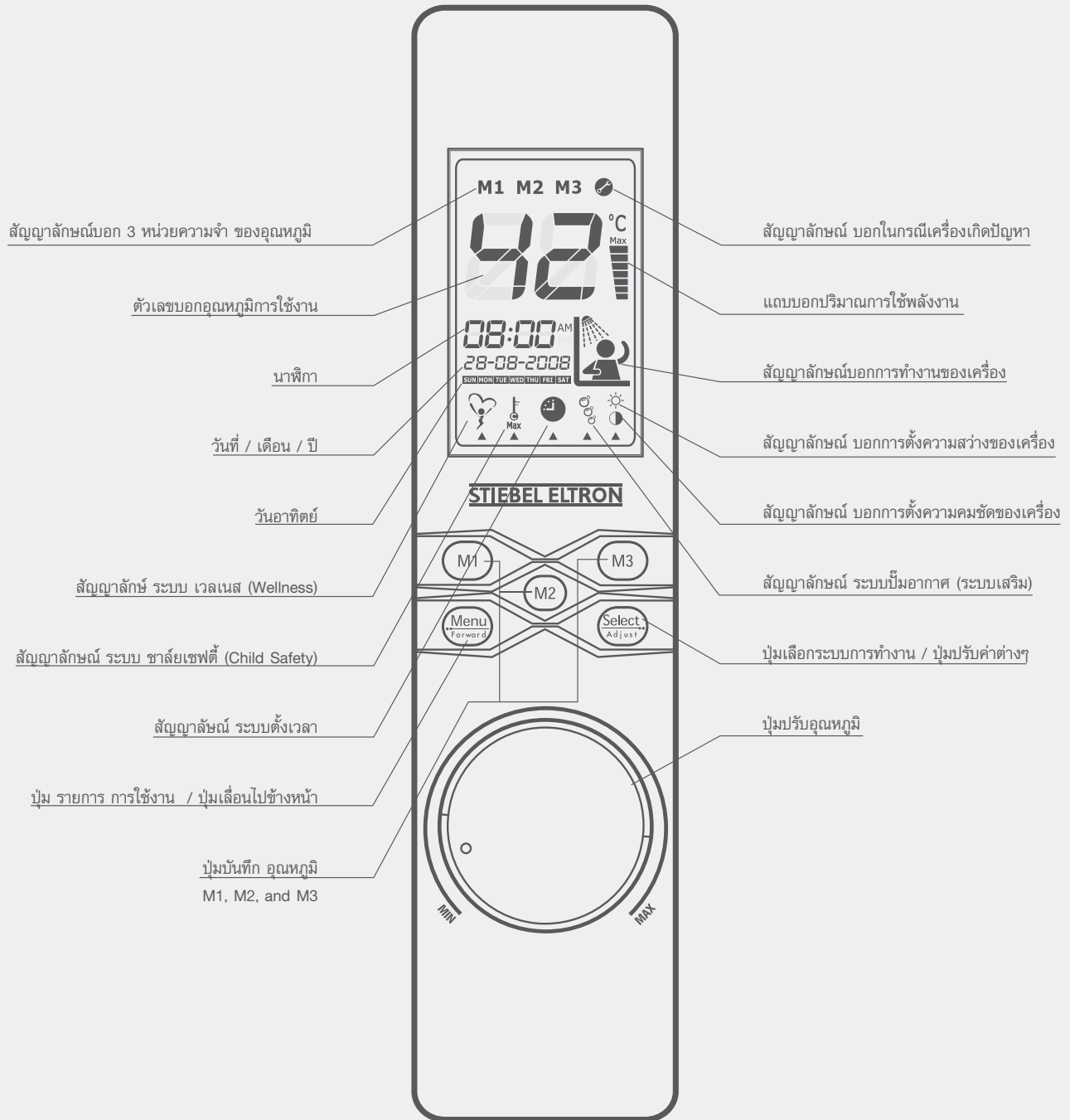
Warning !

If the unit cannot be work even press the Reset Button, never try to fix it.

Contact your dealer for a check and repair.

2. Operating Instruction

2.1 At a glance



2.2 First operation

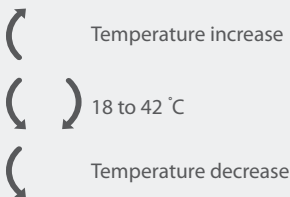
Turning on Water Valve / ELCB Reset Button.



This symbol will light up when there is water flowing through the water heater.

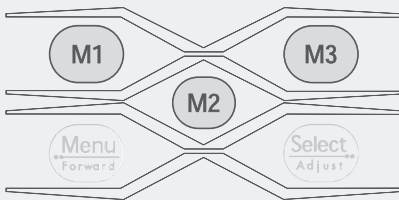
Adjust the temperature for the first time by turning the temperature selector to the right. The temperature of the water will increase. Turning the temperature selector to the left. The temperature of the water will decrease.

Temperature setting



2.3 Set and store the temperature with the three temperature memory buttons.

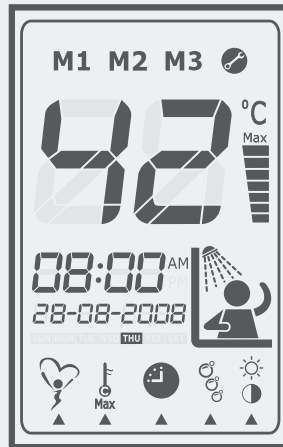
The temperature memories can be stored by selecting the required temperature through the temperature selector and pushing the M1, M2 or M3 button for about 3 seconds.



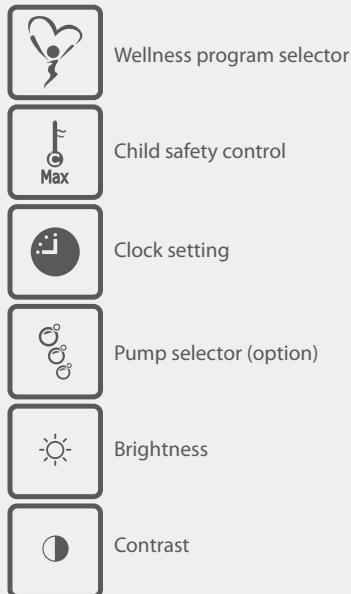
The number showing the temperature indicator will light up and flash, stopping once the temperature is successfully stored.

- Selecting a stored temperature Press M1 M2 or M3.

2.4 Functions and possible setting



Function - overview



2.4.1 Setting the functions

Start

Menu Forward To change between function press the Menu button.

Select Adjust Press the Select button to select the menu or adjust settings.

Pressing the "Menu" button once will light up the Wellness Menu. Press "Select" to confirm for the desired function.

Healthy showering

Stimulating an alternation shower with 4 cycles.



Pressing the "Menu" button twice will light up the Child Safety Menu. Press "Select" to confirm the setting.

Child safety

Setting the child safety menu the variable temperature is restricted to a maximum valve of 39 °C.



Pressing the "Menu" button three times will light up the Clock Menu. Press "Select" once to begin setting values.

Clock

Begin by adjusting the year value by pressing "Menu". Press "Menu" to switch the setting position to inute value settings and year/month/day. Next, press "Menu" to confirm settings after all adjustments are being performed.



Pressing the "Menu" button four times will light up the Pump position. (option) Press "Select" to confirm the operation.



LCD Brightness / Contrast

Pressing the Menu button five times light up the "Brightness" position. To set screen resolution, press "Select".

Notice the Power bar on the right moving up and down with the setting.



Pressing the "Menu" button six times will light up the Contrast position for adjustments of screen contrast values.

Follow the procedures for setting brightness to set the values.

- If the lights light up while operating, CEASE USAGE, because the workings of some part of the appliance or equipment have been damaged. Turn the water heater off completely and notify a qualified professional to make subsequent repairs.

3. Guarantee

For guarantees please refer to the respective terms and conditions of supply for your country.



The installation, electrical connection and first operation of this appliance should be carried out by a qualified installer.

The company does not accept liability for failure of any good supplied which have not been installed and operated in accordance with the manufacture's instructions.

4. Fault elimination for the user

Fault	Cause	Rectification
No hot water despite flow volume setting at right-hand stop. Trip (LCD Disappear)	The water flow volume required for the unit to turn on has not been reached. <ul style="list-style-type: none"> - The shower head is blocked with dirt or limescale. - Flow volume too low. - ELCB activated 	<ul style="list-style-type: none"> - Clean shower head or remove limescale. - Increase flow volume. - Press "Reset" - button.
The unit is not being switched on. Electricity supply and flow available.	The water flow volume required for the unit to turn on has not been reached. <ul style="list-style-type: none"> - Filter in the cold water connection pipe blocked with dirt. - Water pressure not enough 	<ul style="list-style-type: none"> - Clean the filter after shutting off the cold water intake. - Increase mains pressure